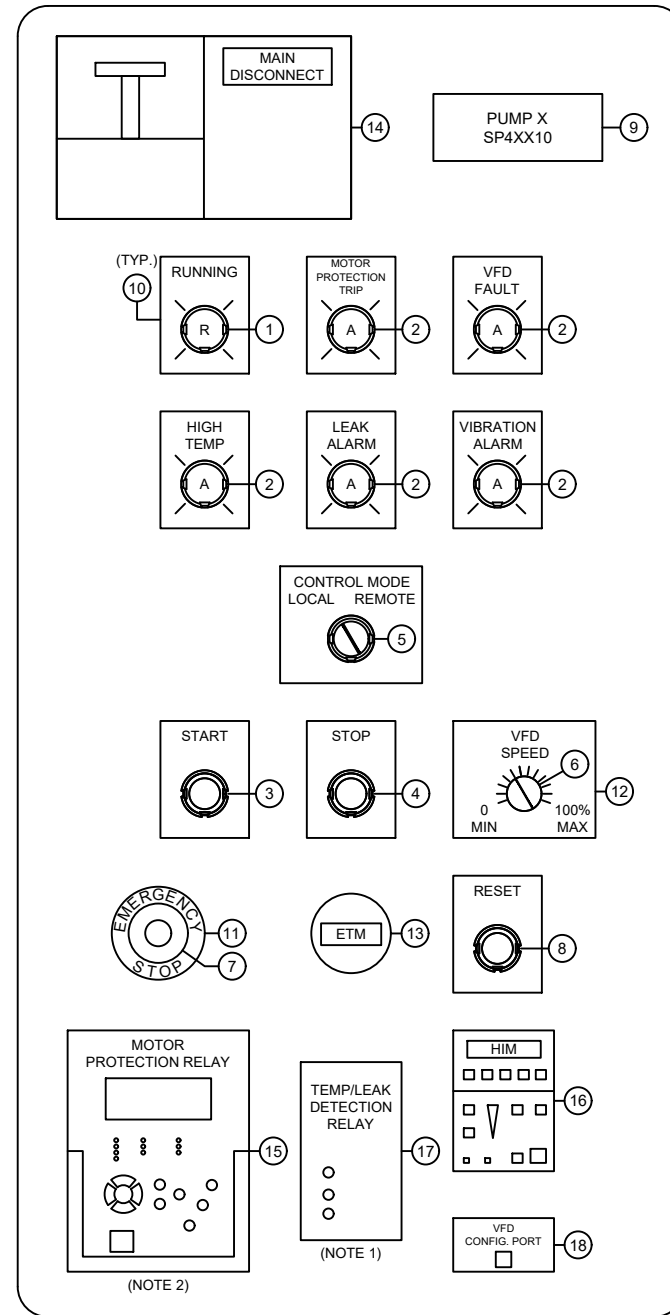
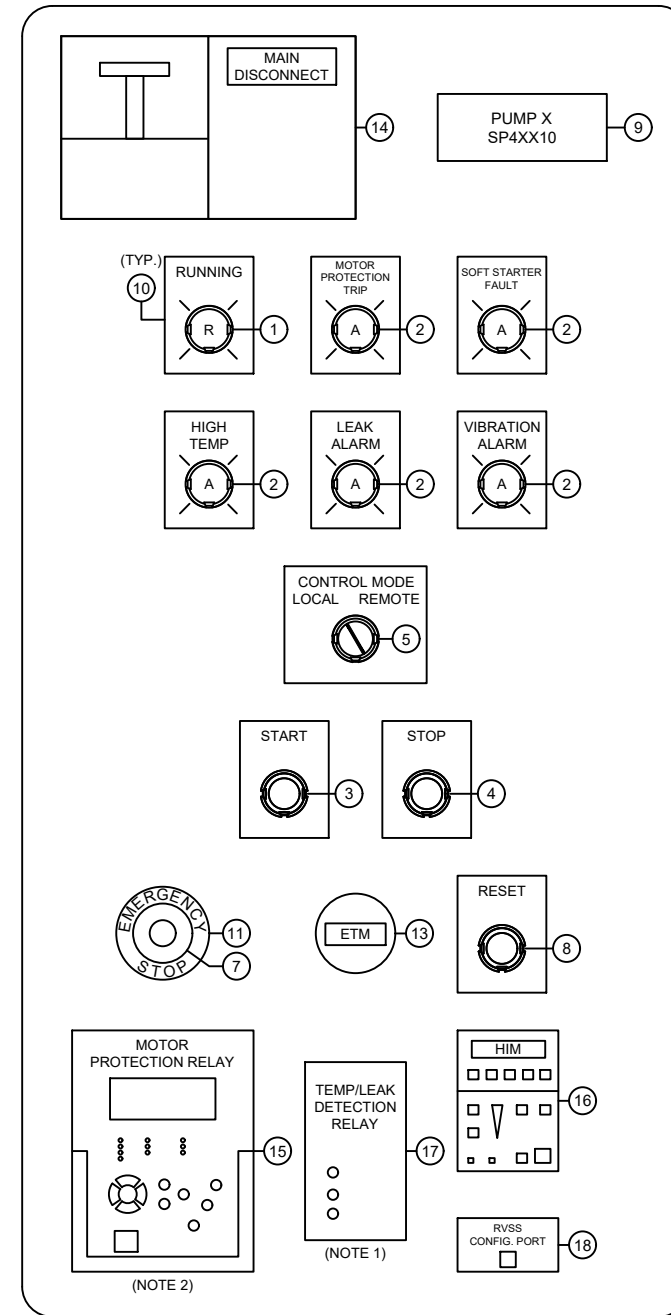


FVNR PUMP CONTROLS ON MCC



VFD PUMP CONTROLS ON MCC



SOFT STARTER PUMP CONTROLS ON MCC

| BILL OF MATERIALS |   |
|-------------------|---|
| ITEM              | EQUIPMENT DESCRIPTION   |
| 1                 | PILOT LIGHT - RED, 30mm   |
| 2                 | PILOT LIGHT - AMBER, 30mm   |
| 3                 | PUSH BUTTON, RED, FLUSH HEAD  |
| 4                 | PUSH BUTTON, GREEN, EXTENDED HEAD   |
| 5                 | 2 POSITION SELECTOR SWITCH, KNOB LEVER, BLACK   |
| 6                 | SPEED POTENTIOMETER   |
| 7                 | PUSH BUTTON, RED, MUSHROOM HEAD, TWIST RELEASE, YELLOW BACKING PLATE                            |
| 8                 | PUSH BUTTON, BLACK, FLUSH HEAD  |
| 9                 | LAMACOID, WHITE W/BLACK 20mm LETTERS  |
| 10                | ENGRAVED LEGEND PLATE, ALUMINUM W/BLACK LETTERS (8mm)   |
| 11                | LEGEND PLATE, E-STOP, ROUND, 60mm   |
| 12                | ENGRAVED LEGEND PLATE, FOR POTENTIOMETER 0 - 100% W/GRADUATED MARKINGS ALUMINUM W/BLACK LETTERS |
| 13                | ELAPSED TIME METERS (ETM)   |
| 14                | MAIN DISCONNECT   |
| 15                | MOTOR PROTECTION RELAY  |
| 16                | VFD/RVSS/SMART OVERLOAD HUMAN INTERFACE MODULE (HIM)  |
| 17                | THERMAL/LEAK DETECTION RELAY  |
| 18                | CONFIGURATION PORT  |

NOTES:

1. INCLUDE FOR SUBMERSIBLE PUMPS WITH TEMPERATURE AND LEAK DETECTION CAPABILITIES.
2. INCLUDE FOR MOTORS GREATER THAN OR EQUAL TO 30HP.
3. PHYSICAL CONFIGURATION PORT TYPE TO BE DETERMINED DURING THE DESIGN STAGE.



PUBLIC WORKS  
STANDARD DRAWING

REV. DATE: JULY 2021

APPROVED BY  
TM

DRAWN BY  
ERAMOSA

PUMP X - PUMP CONTROLS  
PANEL LAYOUTS

STD. DWG. NUMBER  
SPS-209

SCALE  
Not to Scale