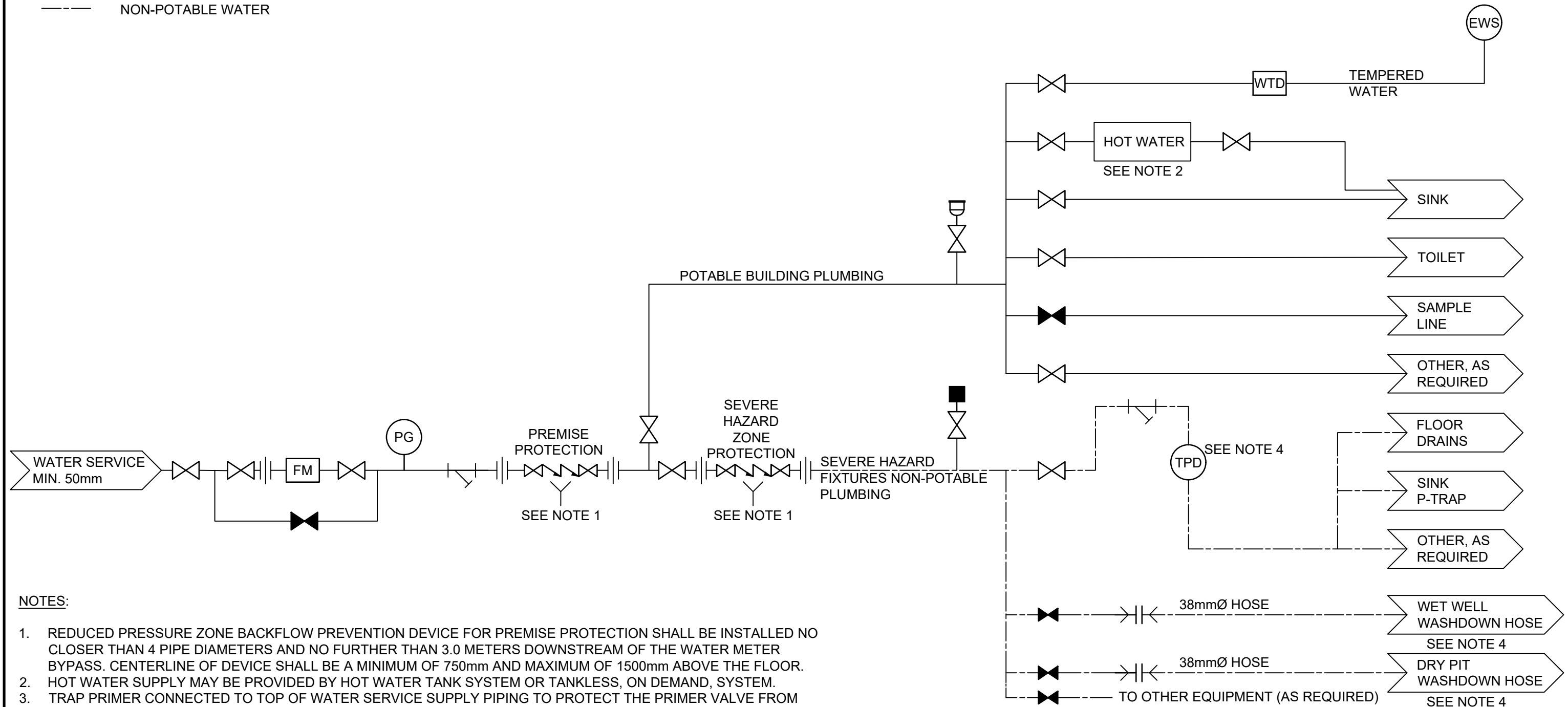


**LEGEND**

- POTABLE WATER
- NON-POTABLE WATER



**NOTES:**

1. REDUCED PRESSURE ZONE BACKFLOW PREVENTION DEVICE FOR PREMISE PROTECTION SHALL BE INSTALLED NO CLOSER THAN 4 PIPE DIAMETERS AND NO FURTHER THAN 3.0 METERS DOWNSTREAM OF THE WATER METER BYPASS. CENTERLINE OF DEVICE SHALL BE A MINIMUM OF 750mm AND MAXIMUM OF 1500mm ABOVE THE FLOOR.
2. HOT WATER SUPPLY MAY BE PROVIDED BY HOT WATER TANK SYSTEM OR TANKLESS, ON DEMAND, SYSTEM.
3. TRAP PRIMER CONNECTED TO TOP OF WATER SERVICE SUPPLY PIPING TO PROTECT THE PRIMER VALVE FROM SEDIMENT ACCUMULATION.
4. 38mm WASHDOWN HOSE c/w HOSE REEL AND NOZZLE. LENGTH SUFFICIENT TO REACH ENTIRE EXTENT OF WET WELL OR DRY PIT FLOOR. ALL ASSOCIATED PLUMBING TO BE LOCATED WITHIN MECHANICAL ROOM. EXTERIOR YARD HYDRANTS AND WALL HYDRANTS ARE NOT PERMITTED.
5. ENSURE SERVICE WATER PIPING IS CLEARLY LABELED WITH "POTABLE WATER" OR "NON-POTABLE WATER" DEPENDING ON THE INTENDED DOWNSTREAM USE AND AN ARROW INDICATING THE DIRECTION OF FLOW. ALL PIPING BETWEEN THE BACKFLOW PREVENTION DEVICE PROVIDING PREMISE PROTECTION AND THE WATER METER IS TO BE CLEARLY LABELED "NO CONNECTION PERMITTED". INSTALL SIGNAGE WITH THE WORDS "NON-POTABLE WATER - DO NOT DRINK" IMMEDIATELY ABOVE EACH FIXTURE SERVICED BY NON-POTABLE WATER.
6. PLUMBING WORK AND MATERIALS SHALL BE INSTALLED IN STRICT ACCORDANCE WITH THE LATEST EDITIONS OF PART 7 OF THE ONTARIO BUILDING CODE, THE CSA INTERNATIONAL STANDARDS B64.10. AND THE REGION OF PEEL BY-LAW 10-2017.

	<b>PUBLIC WORKS STANDARD DRAWING</b>		REV. DATE: APRIL 2021	
	BUILDING SERVICE WATER SCHEMATIC		APPROVED BY MNB	DRAWN BY GM BluePlan
			STD. DWG. NUMBER SPS-115	SCALE Not to Scale