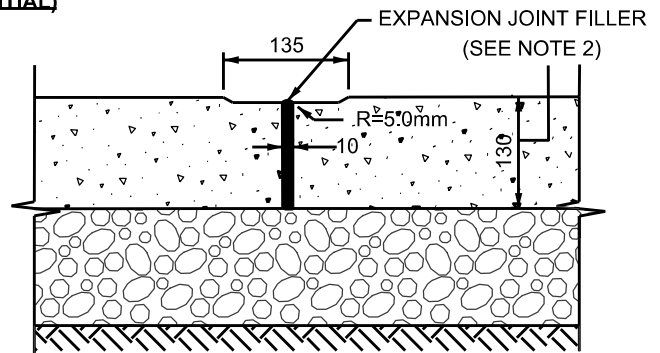
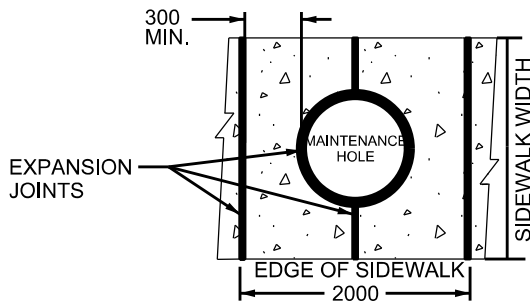


**SECTION 'A'-'A' (RESIDENTIAL)
RELIEF JOINT DETAIL**

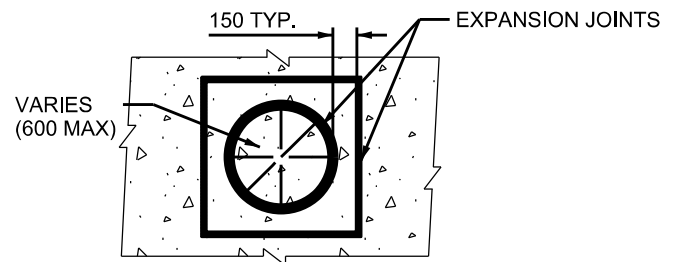


**SECTION 'B'-'B' (RESIDENTIAL)
EXPANSION JOINT DETAIL**

150mm DEEP
19mm GRANULAR 'A'
CRUSHER RUN
LIMESTONE



**ISOLATION OF CHAMBERS AND
MAINTENANCE HOLES WITHIN THE SIDEWALK**



**ISOLATION OF POLES, HYDRANTS,
AND SERVICES**

NOTES

1. EXPANSION JOINTS ARE REQUIRED AT 6.0m INTERVALS AND:
 - a) BETWEEN SIDEWALK AND ABUTTING CURB
 - b) ADJACENT TO ABUTTING RIGID OBJECTS (UTILITY POLES, MAINTENANCE HOLES, VALVE BOXES ETC.)
 - c) AT THE EDGE OF EACH DRIVEWAY
 - d) AT ALL CONSTRUCTION JOINTS
2. AT COMMERCIAL AND INDUSTRIAL DRIVEWAYS, THICKNESS TO BE 180mm
3. RELIEF JOINTS MUST HAVE A STANDARD SPACING OF 2.0m
4. ALL CONCRETE TO BE 32MPa; 7% +/- 1.5% AIR ENTRAINED

ALL DIMENSIONS ARE IN MILLIMETERS UNLESS OTHERWISE SPECIFIED.



**PUBLIC WORKS
STANDARD DRAWING**

DATE: SEPTEMBER 2018

APPROVED BY

DRAWN BY

G.K./S.L.

N.P.

STD. DWG. NUMBER

SCALE

5-2-6

N.T.S.

CONCRETE SIDEWALK