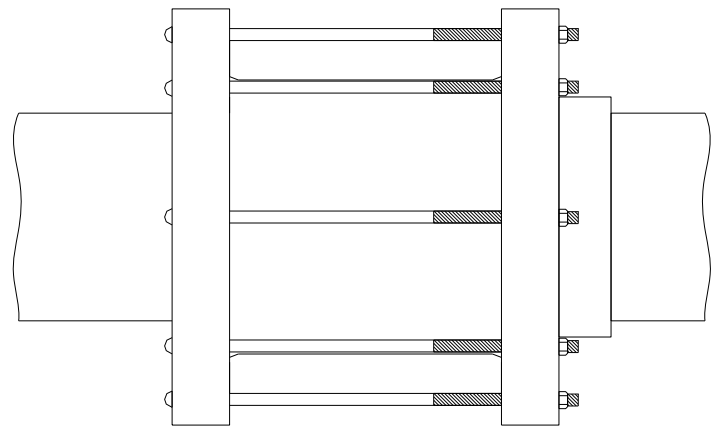
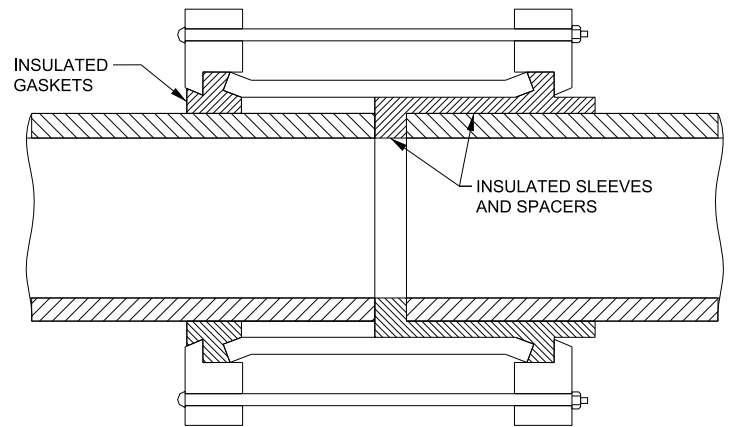


INSULATING COUPLING PLAN



INSULATING COUPLING PROFILE



SECTION A-A

NOTE

1. FOR PIPES RUNNING PARALLEL TO LRT AND WITHIN THE ZONE OF INFLUENCE (30m), ELECTRICAL ISOLATION JOINTS SHALL BE PLACED NO GREATER THAN 150m APART.
2. DURING CONSTRUCTION, BOND TESTING SHALL BE PERFORMED AT SHORTER INTERVALS IF NECESSARY.
3. INSULATED COUPLINGS TO BE SELECTED FROM THE APPROVED PRODUCT LIST.



**PUBLIC WORKS  
STANDARD DRAWING**

REV. DATE: FEBRUARY 2015

APPROVED BY

DRAWN BY

**WT**

**AECOM**

STD. DWG. NUMBER

SCALE

**3-2-5**

N.T.S.

**INSULATED PIPE COUPLING**