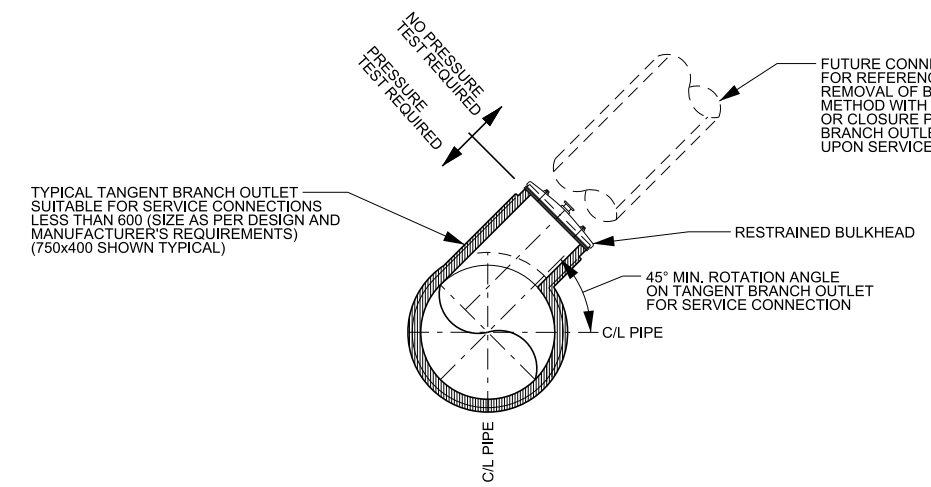
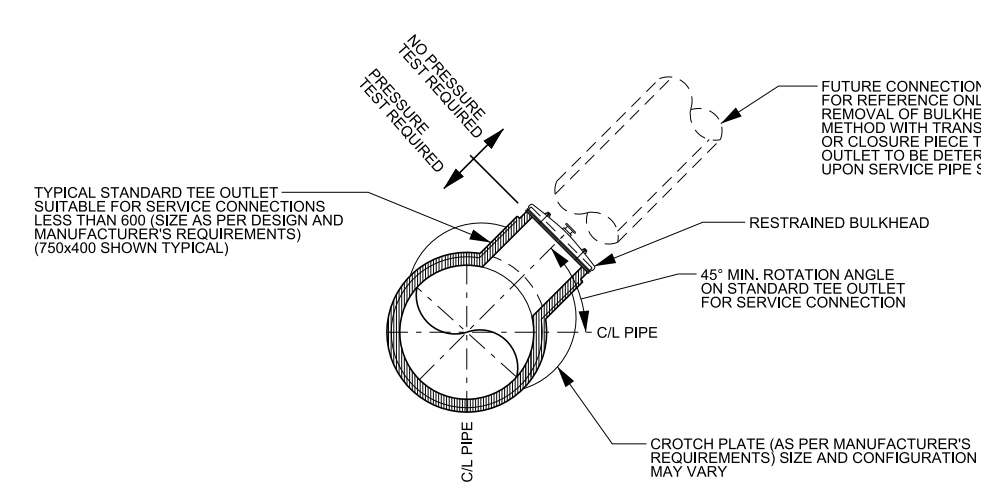


TYPICAL PLAN



SECTION A - TANGENT BRANCH


PREFERRED PRE-SERVICE CONNECTION TO TRUNK SEWER (DEPENDING UPON TRUNK MAIN AND BRANCH SIZING AND MANUFACTURER'S REQUIREMENTS)



SECTION B - STANDARD TEE

OPTIONAL PRE-SERVICE CONNECTION TO TRUNK SEWER (DEPENDING UPON TRUNK MAIN AND BRANCH SIZING AND MANUFACTURER'S REQUIREMENTS)

NOTE
 1. REFER TO STANDARD DRAWING 2-7-1 FOR GENERAL NOTES PERTAINING TO CPP MAINTENANCE HOLES.
 2. AWWA C302, C301, C300 MAY BE USED AS PER PROJECT DESIGN AND AS APPROVED BY REGION AND PROJECT ENGINEER.

	PUBLIC WORKS STANDARD DRAWING		REV. DATE: AUGUST 2020	
	NEW AWWA C30X SERIES (CPP) PRESSURE TESTED SANITARY SYSTEMS TYPICAL AWWA C30X SERIES (CPP) TRUNK SEWER WITH PRE-SERVICE OUTLET (CPP) FOR FUTURE SERVICE CONNECTION		REVISION NUMBER: 1	FOR REVISION TRACKING REFER TO STD. DWG. 2-0-2
		APPROVED BY A.P.	DRAWN BY AINLEY GROUP	
		STD. DWG. NUMBER 2-7-12	SCALE N.T.S.	