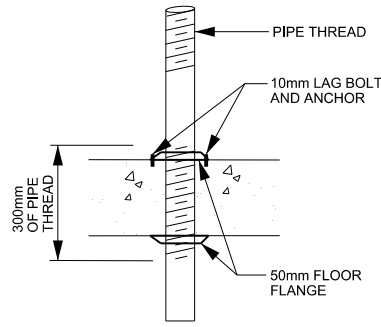


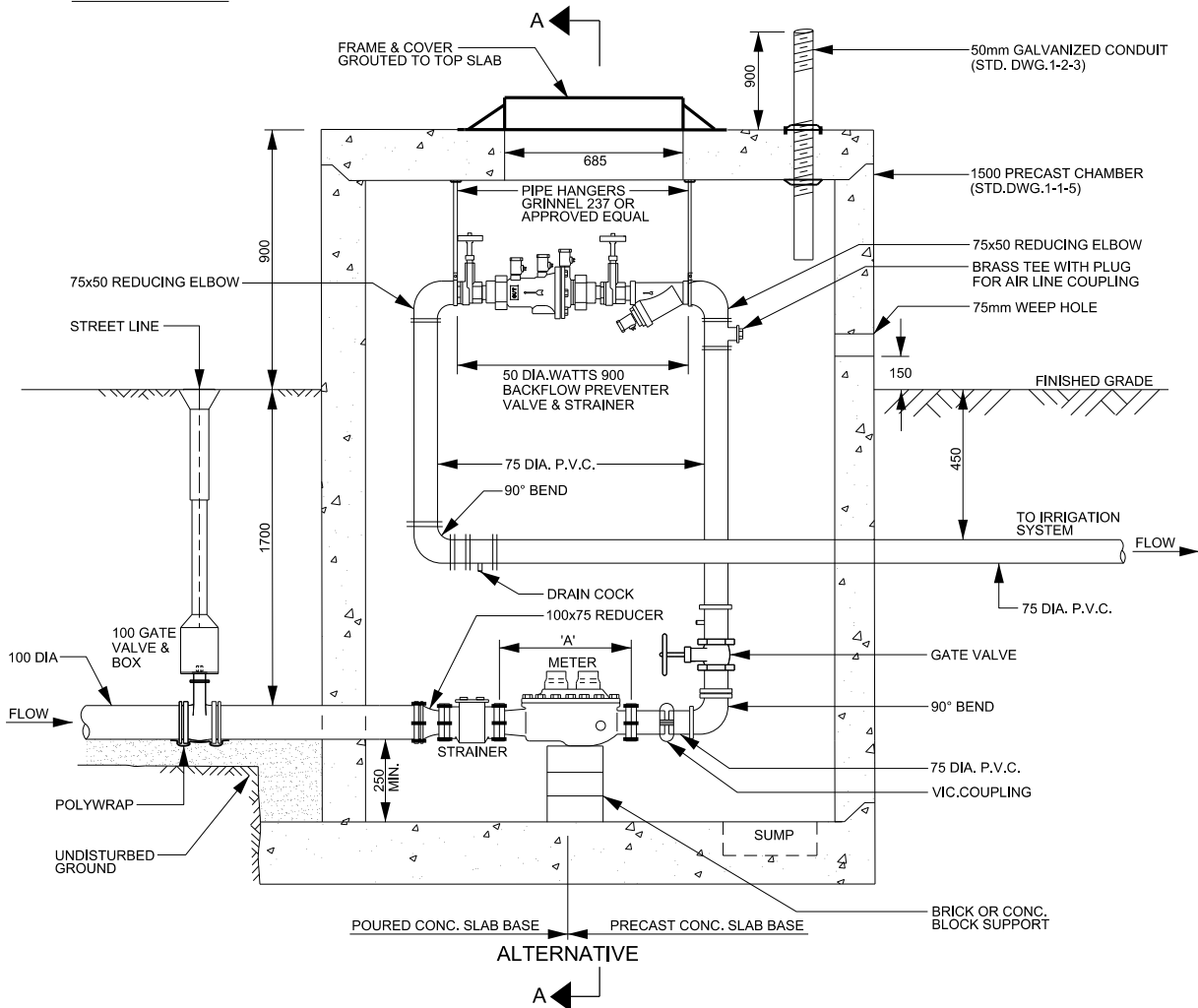
SECTION A-A



STANDPIPE DETAIL

TABLE

PIPE SIZE IN	METER SIZE	PIPE SIZE OUT	'A'
38mm	25mm	38mm	273mm
50mm	38mm	50mm	330mm
75mm	50mm	75mm	432mm
100mm	75mm	75mm	432mm
—	75mm STRAINER	—	152mm



NOTE

1. VENT ON BACKFLOW PREVENTER SHALL BE 150mm ABOVE WEEP HOLE.
2. IF METER SIZE IS LESS THAN 75mm, THEN A TEST OUTLET GATE VALVE SHALL BE INSTALLED (STD.1-4-6) ON OUTLET SIDE OF METER.
3. ALL INTERNAL AND EXTERNAL VALVES, FITTINGS, THROUGH WALL METAL PIPING AND MECHANICAL RESTRAINTS TO BE c/w DENSO PASTE, DENSO MASTIC AND DENSO TAPE OR APPROVED EQUAL, APPLIED TO MANUFACTURER'S RECOMMENDATIONS.



PUBLIC WORKS
STANDARD DRAWING

REV. DATE: NOVEMBER 2011

APPROVED BY

A.L.

DRAWN BY

AINLEY GROUP

METER CHAMBER FOR IRRIGATION SYSTEM

STD. DWG. NUMBER

1-4-17

SCALE

N.T.S.