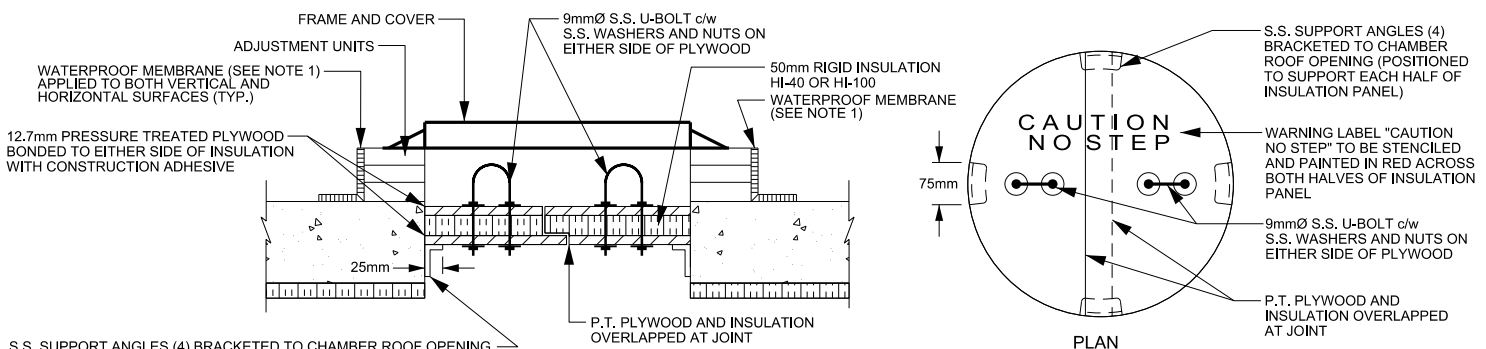


CHAMBER SIZE	NUMBER OF FROST STRAPS
1200Ø	2
1500Ø	2
1800Ø	2
2400Ø	3
3000Ø	3

**TYPICAL PRECAST MAINTENANCE HOLE FOR INSTALLATION OVER PRESSURIZED EXISTING PIPE**



S.S. SUPPORT ANGLES (4) BRACKETED TO CHAMBER ROOF OPENING. ANGLES TO BE 75mm WIDE x 50mm HIGH x 25mm LONG. ALL EXPOSED CORNERS ARE TO BE ROUNDED AND GROUND SMOOTH

**ACCESS RISER INSULATION DETAIL**

**NOTE**

1. WATERPROOF MEMBRANE TO BE "MEL-ROL" BY W.R. MEADOWS OF MILTON ONTARIO OR APPROVED EQUAL. EXTEND COMPLETELY AROUND ALL RISER SECTION JOINTS WITH A MINIMUM 300mm WIDE STRIP.
2. ALL INSULATION TO BE RIGID TYPE EXTRUDED POLYSTYRENE FOAM DOW HI-40 OR HI-100 OR APPROVED EQUAL. ALL CHAMBER INSULATION TO BE INSTALLED WITH CONSTRUCTION ADHESIVE AND TAPCON ANCHORS AT MAX. 600mm SPACING IN ALL DIRECTIONS (MIN. 2 ANCHORS PER SHEET OF INSULATION).



**PUBLIC WORKS STANDARD DRAWING**

REV. DATE: APRIL 2014

APPROVED BY

DRAWN BY

A.P.

AINLEY GROUP

STD. DWG. NUMBER

SCALE

**1-1-7**

N.T.S.

**TYPICAL PRECAST CIRCULAR CHAMBER DETAILS OVER EXISTING PIPE**