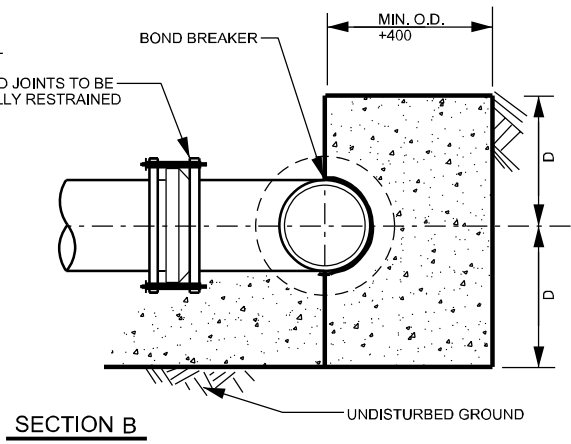
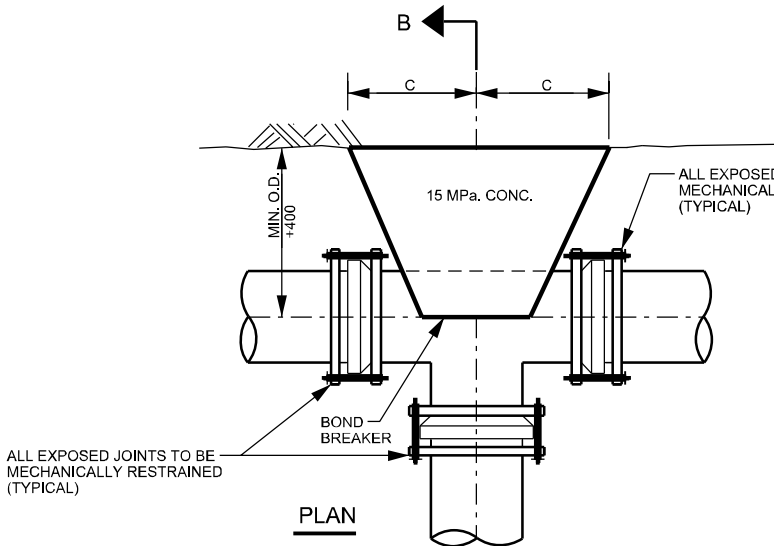


PIPE CONC.	PLUGS AND CAPS			
	150	200	250	300
A	150	300	300	350
B	150	150	250	300



BRANCH CONC.	TEES			
	150	200	250	300
C	150	300	300	350
D	150	150	250	300

NOTE

1. BLOCKING IS NOT PERMITTED ON NEW INSTALLATIONS.
2. PIPE GREATER THAN 300mm REQUIRES MECHANICAL RESTRAINTS WITH SHOP DRAWING SUBMISSION.
3. ASSUME BEARING AT 19kPa (CLEAN DRY SAND, FAIRLY DRY ETC.).
4. FOR POOR CONDITIONS (SOFT CLAY) LARGER BLOCKING MY BE REQUIRED.
5. ALL CONCRETE TO BE 15MPa.
6. BASED ON WATER TEST PRESSURE OF 1000kPa.
7. ALL DIMENSIONS ARE IN MILLIMETRES.



**PUBLIC WORKS
STANDARD DRAWING**

REV. DATE: NOVEMBER 2011

APPROVED BY: A.P. DRAWN BY: AINLEY GROUP

STD. DWG. NUMBER: 1-5-7 SCALE: N.T.S.

**HORIZONTAL BLOCKING
PLUGS, CAPS AND TEES
FOR CONNECTION TO EXISTING WATERMAIN ONLY**